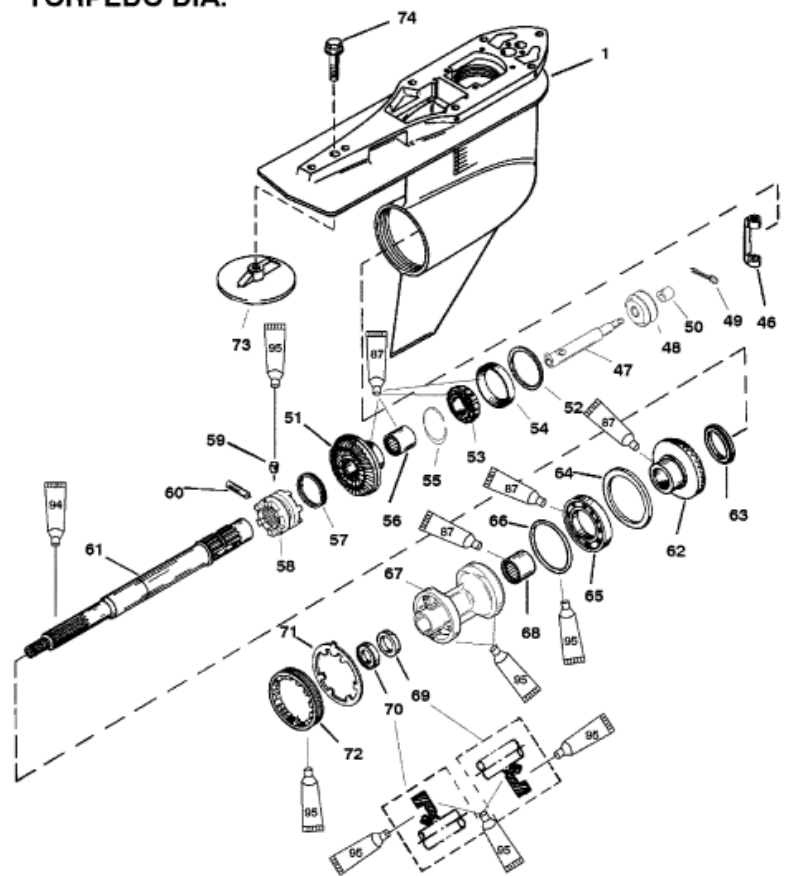


**4.75 IN/120.65MM
 TORPEDO DIA.**



-  Super Duty Gear Lubricant (92-850757A1)
-  Anti-Corrosion Grease (92-850735A1)
-  2-4-C w/Teflon (92-850736A1)

Parts List						
Ref	Class	Part	Description	Qty	Comment	Footnote
1	1623	859399T18	GEAR HOUSING	1	(BASIC)	
46		823903	SHIFT CRANK	1		
47		19755T 7	SHAFT	1		
48		NSS	SHIFT SPOOL	1		
49		NSS	COTTER PIN	1		
50		NSS	SLEEVE	1		
51	43	859321A 3	FORWARD GEAR SET (INCLUDE	1	(1.75:1 - 12/21)	
51	43	828170A 2	FORWARD GEAR SET (INCLUDE	1	(1.87:1 - 15/28)	
52	15	44491A 1	SHIM	AR		
53	31	30894A 1	TAPERED ROLLER BEARING	1		
54		NSS	CUP	1		
55	53	856823	RETAINING RING	1		
56	31	30895T	ROLLER BEARING	1		
57	24	30893	SPRING	1		
58	52	859340T	SLIDING CLUTCH	1		
59	17	828356	DETENT PIN	1		
60	17	30632	CROSS PIN	1		
61	44	824110	PROPELLER SHAFT	1		
62	43	859322A 1	REVERSE GEAR	1	(1.75:1 - 12/21)	
62	43	828171A 1	REVERSE GEAR	1	(1.87:1 - 15/28)	
63	23	824108	THRUST SPACER	1		
64		68100 1	THRUST RING	1		
65	30	88957T	BALL BEARING	1		
66	25	31534	O RING	1		15
67		818763T11	BEARING CARRIER	1		
68	31	30956T	ROLLER BEARING	1		
69	26	14077	OIL SEAL (INSIDE)	1		15
70	26	76868	OIL SEAL (OUTSIDE)	1		15
71	14	18323	TAB WASHER	1		
72		79448	COVER	1		
73		76214Q 5	ANODIC PLATE	1		
74	10	806327	SCREW	1		
-	26	816575A 4	G/H SEAL KIT	1		